

DUBLIN



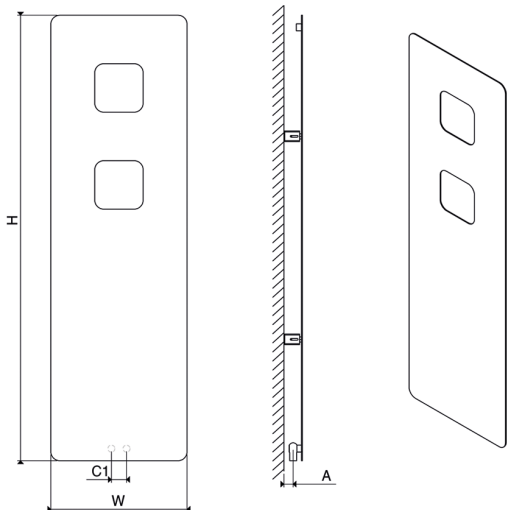
DUBLIN

| | | | |
|-----------------|---|------------------|---------------------|
| Material | Stock Finishes | Guarantee | Installation |
| Mild Steel | PLS SEE COLOUR KEY CHART - Click for Link | 5 Years | Vertical |

| PRODUCT CODE | Height (mm) | Width (mm) | Sections n | Pipe Centers (mm) C1 | Wall to pipe Centers | Wall Distance | Nett Weight (kg) | Water Content (lt) | Fuel Type | Heat Outputs | |
|--------------|-------------|------------|---------------|-------------------------|----------------------|---------------|------------------|--------------------|-----------|--------------|------|
| | H | W | | | A (mm) | D (mm) | | | | Watts | BTU |
| DUB 04500450 | 450 | 450 | - | 50 | 31-51 | 61-81 | 5.5 | 0.3 | C/E | 317 | 1081 |
| DUB 04501470 | 1470 | 450 | - | 50 | 31-51 | 61-81 | 19.0 | 1.1 | C/E | 1097 | 3741 |
| DUB 04501790 | 1790 | 450 | - | 50 | 31-51 | 61-81 | 22.6 | 1.3 | C/E | 1304 | 4447 |

Please add finishing code at the end of the product code **Code example : DUB 04500450 TXB**

Fuel type i.e. C: Central heating
E: Electrical heating
D: Dual heating (C+E)



| | |
|--------------------------|----------|
| Max. working pressure | 5 bar |
| Max. working temperature | 95 °C |
| Connections | ½" |
| Pipe center | C1 50 mm |

Please specify C or E with your order.
D is not available.

