

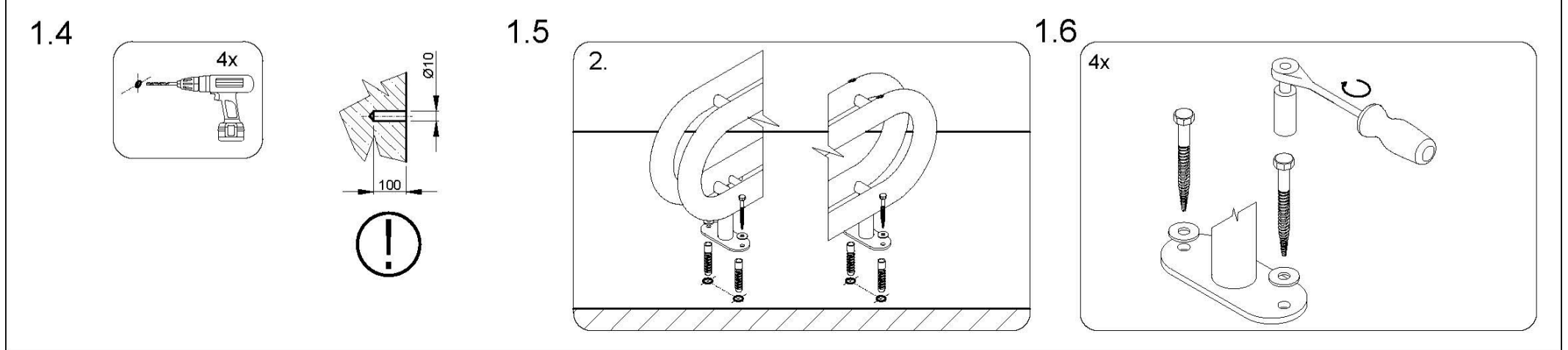
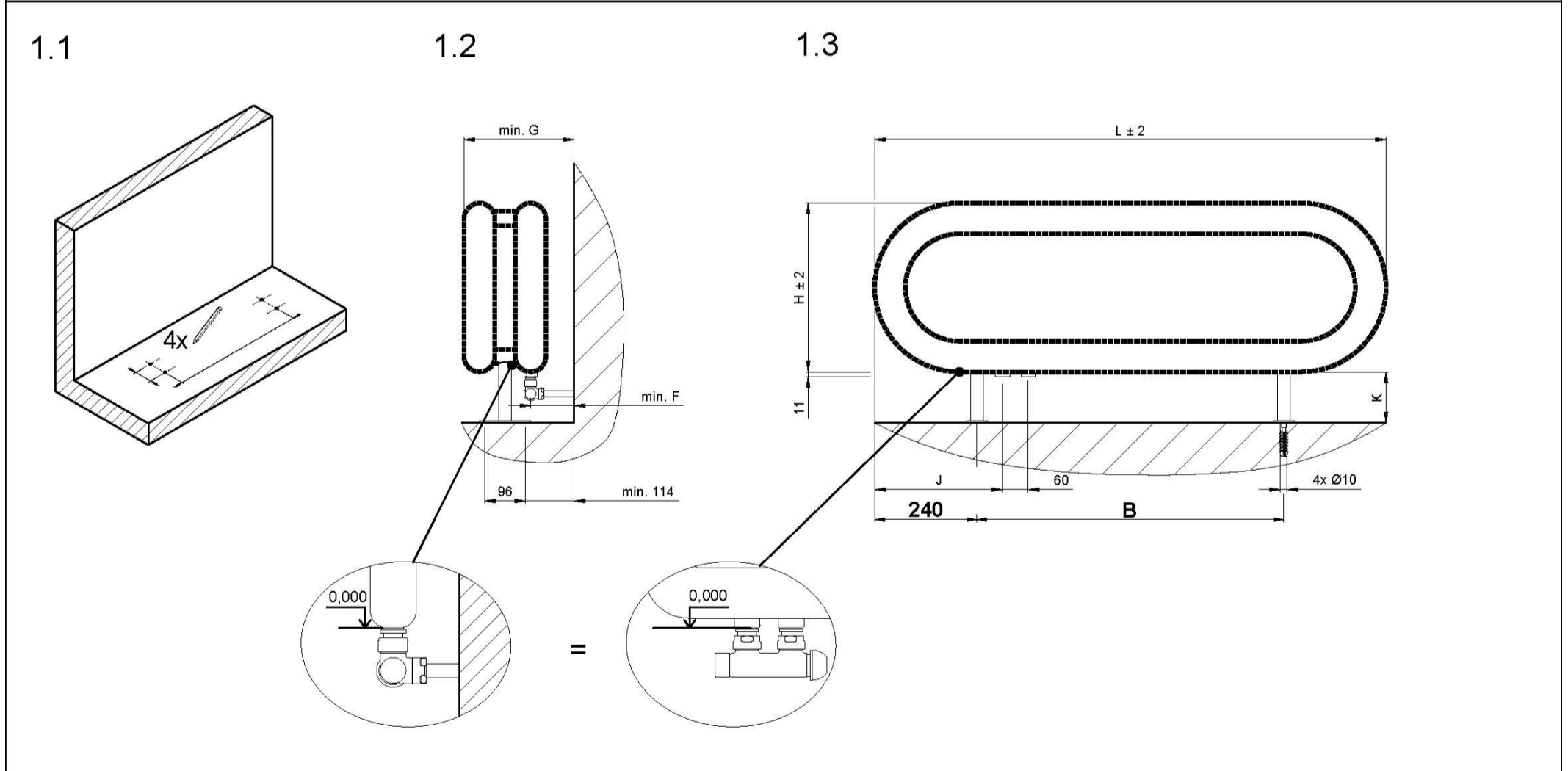
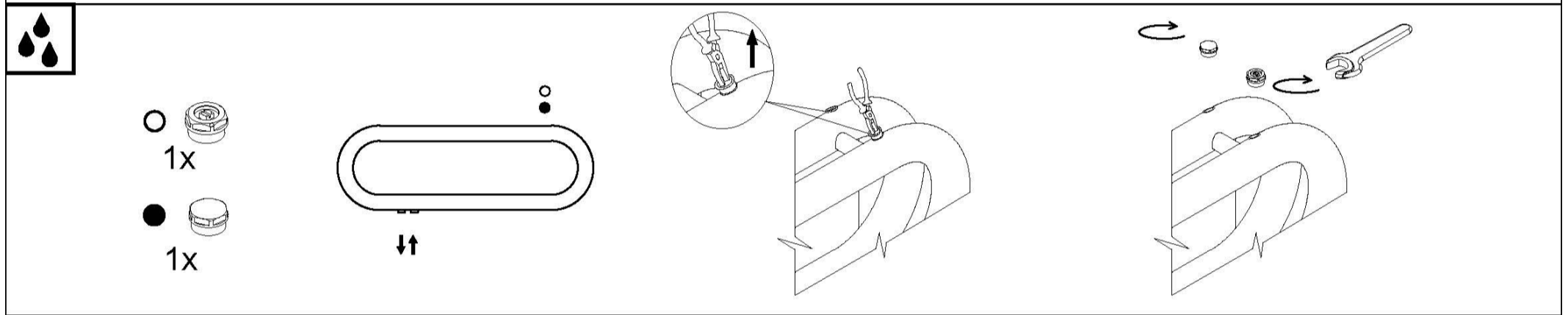
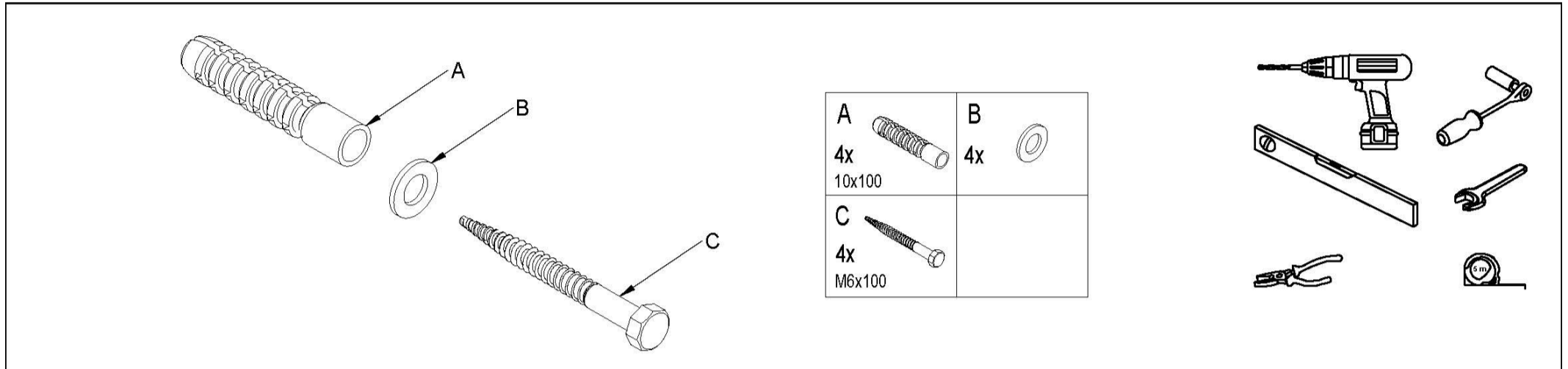
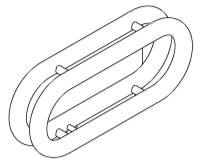
CORON DOUBLE HORIZONTAL



DCHD03301000SM01-0110

H	L	A	B	C	D	E	F	G
1000	330	-35	827	182	200	182	85	215
I	J	K	M	N	O	P		
-	140	min.100	50	-	-	9		

17.2	kg
10.1	l
447	W



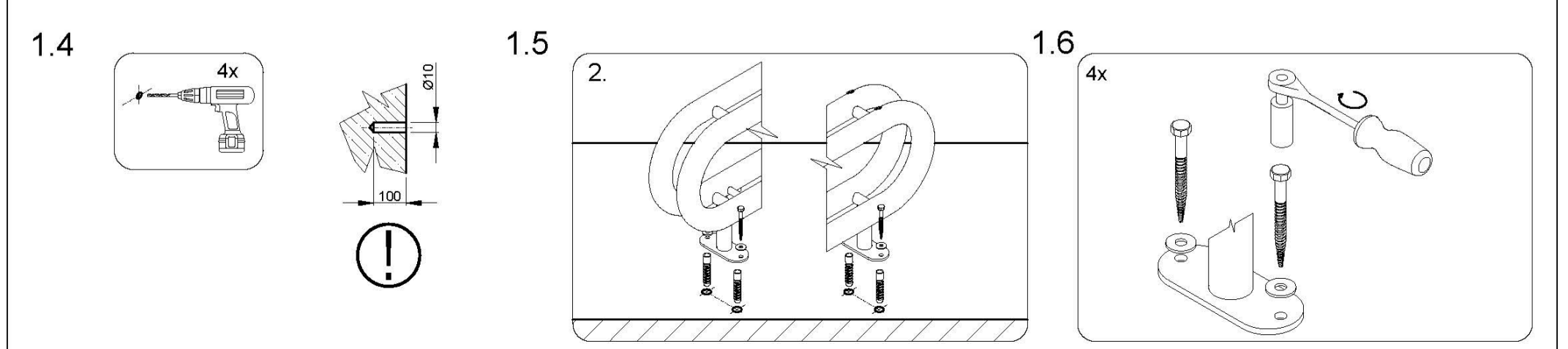
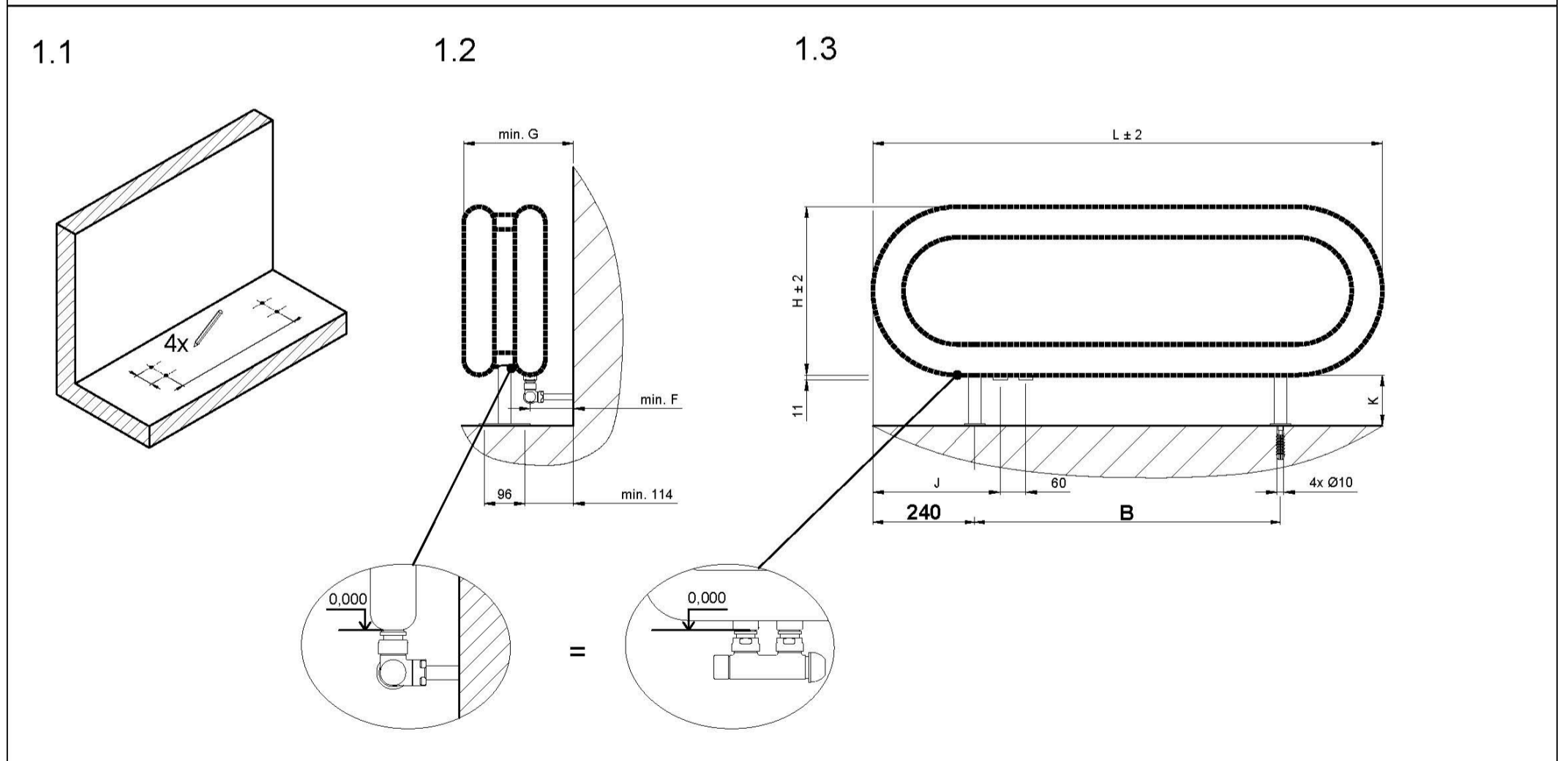
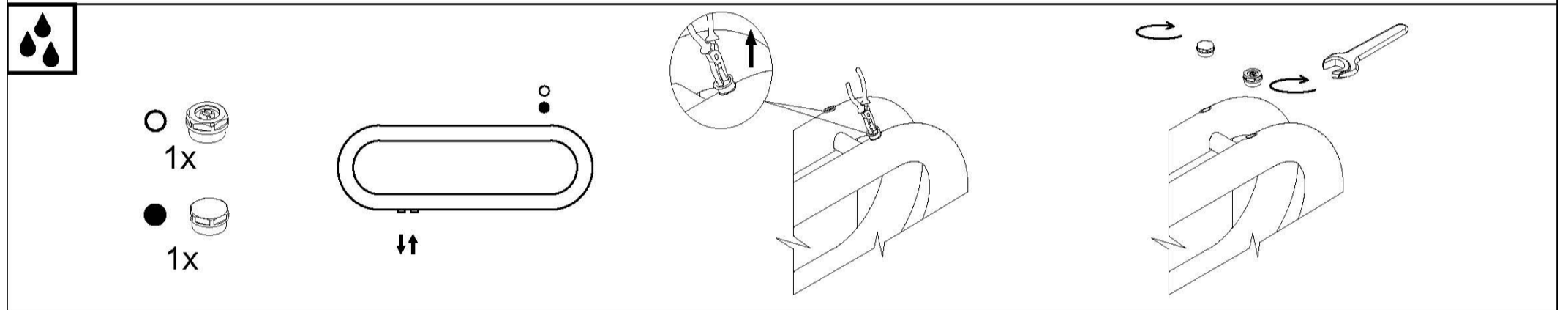
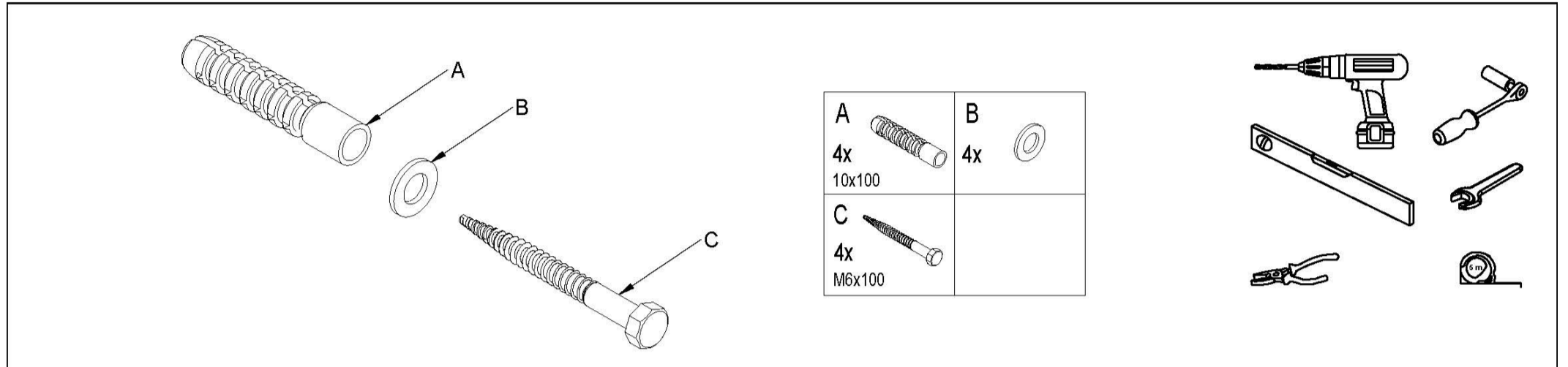
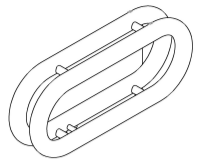
CORON DOUBLE HORIZONTAL



DCHD03301500SM01-0110

H	L	A	B	C	D	E	F	G
1500	330	-35	1327	182	200	182	85	215
I	J	K	M	N	O	P		
-	140	min.100	50	-	-	9		

25.7	kg
14.8	l
671	W



CORON DOUBLE HORIZONTAL



DCHD03301800SM01-0110

H	L	A	B	C	D	E	F	G
1800	330	-35	1627	182	200	182	85	215
I	J	K	M	N	O	P		
-	140	min.100	50	-	-	9		

30.8	kg
17.6	l
805	W

